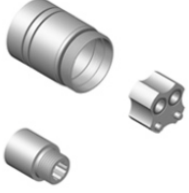




## Extension 20 mm -

---

12 070 970 90





## Extension 20 mm -

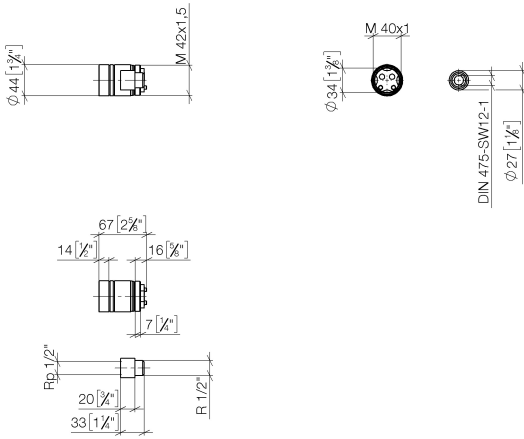
---

12 070 970 90

**Extension 20 mm -**

12 070 970 90

mm [inches]

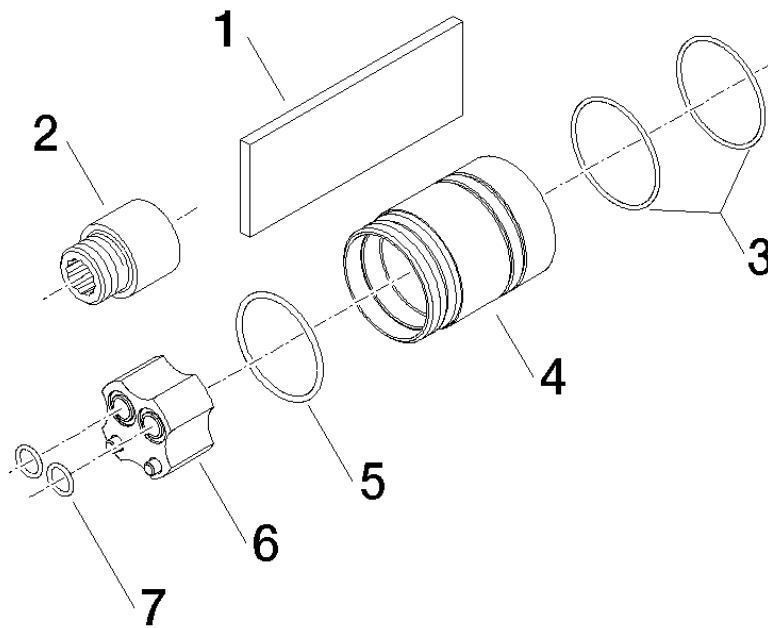


**Certificates**

IAPMO\_6397.

Extension 20 mm -

12 070 970 90



Spare parts list

No.	Item Number	Name	Quantity used	Delivery time
2	09 24 03 072 10 90	nipple	1	2
3	09 14 10 190 90	seal	2	2
5	09 14 10 034 90	seal	1	2
7	09 14 10 042 90	seal	2	2